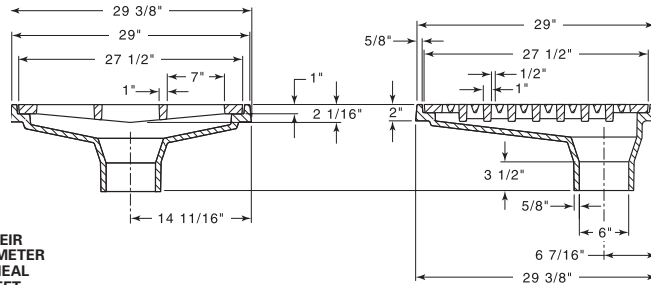


R-3956
Bridge Scupper

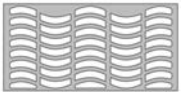
Heavy Duty



CATALOG NUMBER	GRATE TYPE	SQ. FT. OPEN	WEIR PERIMETER LINEAL FEET
R-3956	Q	1.2	6.9

Grate is supplied as Ductile Iron.

Available with Type S & Type C grate when specified



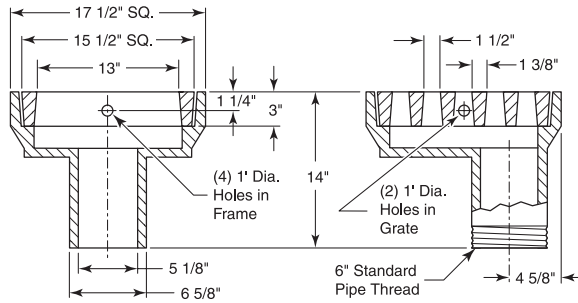
Type S



Type C

R-3961
Bridge Drain

Heavy Duty

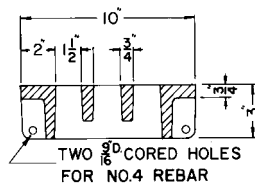


CATALOG NUMBER	GRATE TYPE	SQ. FT. OPEN	WEIR PERIMETER LINEAL FEET
R-3961	D	0.7	5.2

Note weep holes on each side of frame.

R-3976
Bridge Drain Grate

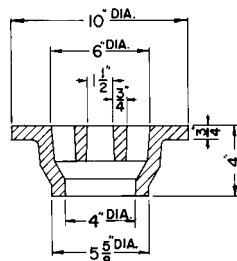
Heavy Duty



CATALOG NUMBER	GRATE TYPE	SQ. FT. OPEN	WEIR PERIMETER LINEAL FEET
R-3976	B	0.2	3.3

R-3977
Bridge Drain Grate

Heavy Duty



CATALOG NUMBER	GRATE TYPE	SQ. FT. OPEN	WEIR PERIMETER LINEAL FEET
R-3977	B	0.1	2.6

Cored #4 rebar anchors.